

CHL 2 LED - Ref. 3832-0090 / CHL 2 LED SAE LH



New full LED OE approved headlamp

Benefits:

- Extra wide angle
- Outstanding light performance
- Active and autonomous de-icing system
- Vibration resistant
- Plug and play with former halogene or LED products

Universal solution for heavy duty, snow plow, specific machines.

TECHNICAL CHARACTERISTICS

Brand	ABL
Voltage	12/24 V
Source	LED
Consumption	At 24V : Low beam 30 W / Low beam + De-icing 50 W / High beam 60 W / High beam + De-icing 80 W / Turn indicator 16 W / Position light 5 W / DRL 16 W
Connector	DT 6 pin
Mounting	Pedestal
Side	Left/Right
Lens Material	Polycarbonate - built-in thermal de-icing
Length	240 mm
Depth	126 mm
Height	164 mm
Specific Functions	DRL day running lights, active and autonomous de-icing
IP protection	IP68 - IP69K
Polarity	Protected against reverse voltage
Electronic Thermal Management	Protected against overheating

www.vignal-group.com - contact@vignal-group.com

France Lyon HQ : +33 (0)4 72 917 917
 France Caen : +33 (0)2 31 74 73 13
 France Le Mans : +33 (0)2 43 50 14 14

Switzerland Rancate : +41 (0) 91 640 50 80
 US Mosinee : +1 715 693 1530
 China Changzhou : +86 137 7686 3469

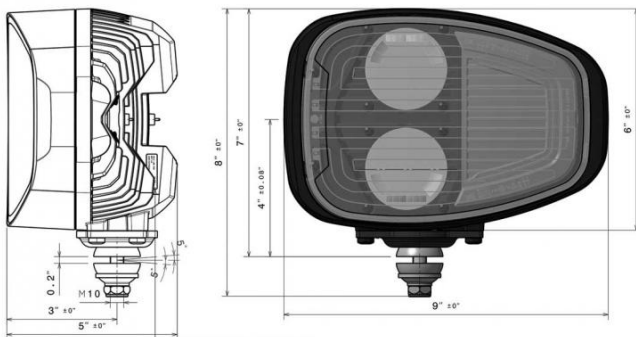
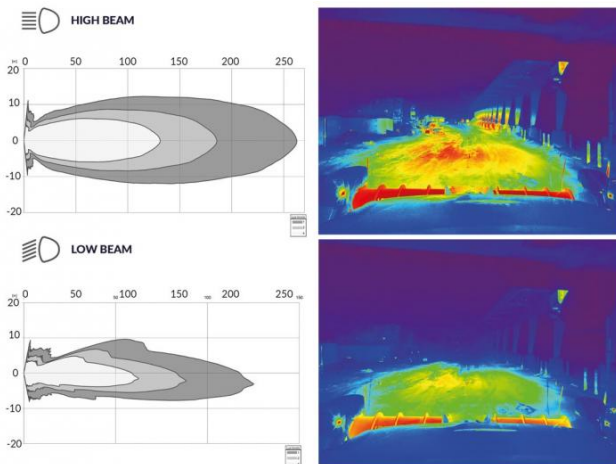


Print date : 27/03/2024

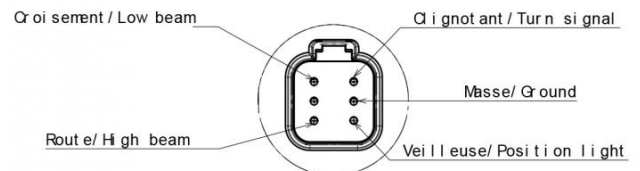
CHL 2 LED - Ref. 3832-0090 / CHL 2 LED SAE LH

Operation Temperatures	-40°C to +85°C
Load Dump	36V CONTINUOUS/ 58V 300ms/ 1800V 50µs
Salt Spray Test	ISO 9227
Vibration Resistance	15 Grms, from 24Hz to 2000Hz
Shock resistance	60G
Warranty	30 000 operating hours or 5 years
EMC	ISO 13766 - ISO 14982 - ISO 12985 - CISPR25 Class 5
SAE	SAE
Industry	Agriculture, Construction, Forestry, Handling and Forklifts, Trucks, Vans and Chassis cab

OTHER VISUALS



Dimensions in inches



ACCESSORIES

www.vignal-group.com - contact@vignal-group.com

France Lyon HQ : +33 (0)4 72 917 917
 France Caen : +33 (0)2 31 74 73 13
 France Le Mans : +33 (0)2 43 50 14 14

Switzerland Rancate : +41 (0) 91 640 50 80
 US Mosinee : +1 715 693 1530
 China Changzhou : +86 137 7686 3469



Print date : 27/03/2024

CHL 2 LED - Ref. 3832-0090 / CHL 2 LED SAE LH



D14352

**CONN - Repair kit
connector Deutsch 6
way female**