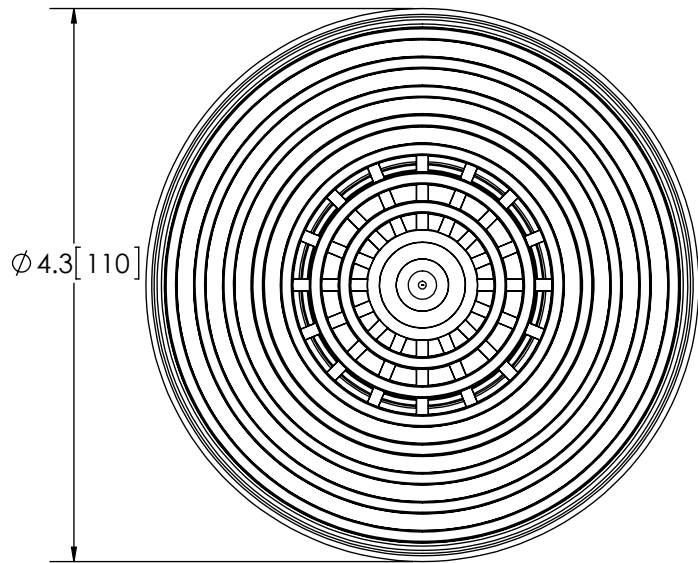
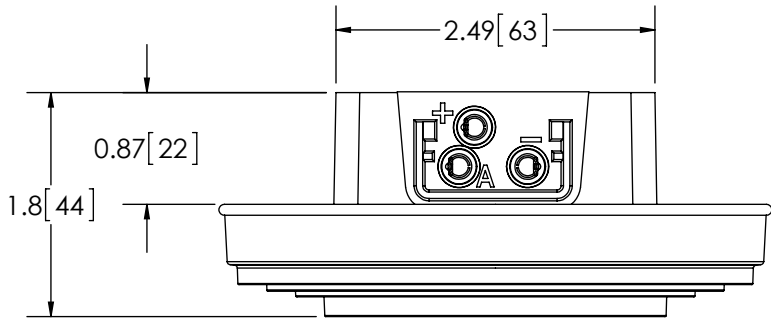



REVISION HISTORY		
REV.	DESCRIPTION	DATE
02	REVISED PER P10037	2011-11-28
03	REVISED PER P10037	2011-12-15
A	INITIAL RELEASE PER P10037	2011-12-27



SPECIFICATIONS

- CERTIFICATIONS: PENDING
 Note: Unique components, accessories, and hardware kits are not typically included in the Product Certification Test Protocols. Unless otherwise Specified, the Product Certifications referred to herein are predicated upon the base product model configuration.
- SOUND PRESSURE LEVEL: 97 ± 4 dB (A) @ 1.2m (4ft)
- VOLTAGE (NOMINAL): 12 VDC
- VOLTAGE (EXTREME): 9.0 to 16.0 VDC
- CURRENT (PEAK): PENDING
- POWER (MAXIMUM): PENDING
- TEMPERATURE RANGE: -40°F (-40°C) TO 185°F (85°C)
- FREQUENCY: 700 to 2800 Hz
- CONNECTION: FEMALE PLUG
- RECOMMENDED MOUNTING: GROMMET MOUNTING, STANDARD 4 1/2" HOLE
- HOUSING MATERIAL: GLASS FILLED NYLON
- PRODUCT WEIGHT: PENDING

NOTES:
 1. DIMENSIONS IN INCHES [MILLIMETERS (FOR REFERENCE)]

SCALE 1:1.5		APPROVALS	DATE	 Preco Safety Products 833 West Diamond Street, Boise, ID 83705 800-635-5900 www.precosafety.com
CAD GENERATED DRAWING DO NOT MANUALLY UPDATE. MODEL REFERENCED: A		DRAWN BY SNS	2011-12-15	
TOLERANCES ARE IN INCHES, AND MILLIMETERS TOLERANCES ARE:		CHECKED BND	2011-12-16	
MILLIMETERS DECIMALS XX. ± 1.0mm XX.X ± 0.5mm		MECH. ENG. JLA	2011-12-15	
INCHES DECIMALS X.X ± 0.1 X.XX ± 0.04 X.XXX ± 0.02		ELEC. ENG. GCJ	2011-12-15	ALARM, BACK-UP, 97dB(A), 12VDC CUSTOMER PART NO. 4030
ANGLES ± 0.5° FRACTIONS ± 1/64		TEST ENG. JRT	2011-12-16	
THIRD ANGLE PROJECTION		SALES. DEH	2011-12-20	SIZE: A DWG. NO. 4030 REV. A SHEET 1 OF 1 Project: P10037 Date Created: 2011-10-28

NON DISCLOSURE AGREEMENT
 THIS DRAWING AND THE DESIGN IT DISCLOSES ARE THE PRIVATE PROPERTY OF ECCO AND IS ISSUED IN CONFIDENCE FOR ENGINEERING INFORMATION ONLY. THE DRAWING AND / OR DESIGN MAY NOT BE USED, COPIED, REPRODUCED, OR OTHERWISE DISCLOSED IN PART OR AS A WHOLE TO OUTSIDERS OR USED FOR ANY OTHER PURPOSE WITHOUT THE PRIOR WRITTEN CONSENT OF ECCO. THE DRAWING IS SUBJECT TO RECALL AT ANY TIME. YOUR POSSESSION OF THIS DOCUMENT CONSTITUTES ACCEPTANCE OF THESE TERMS. © 2011 ECCO