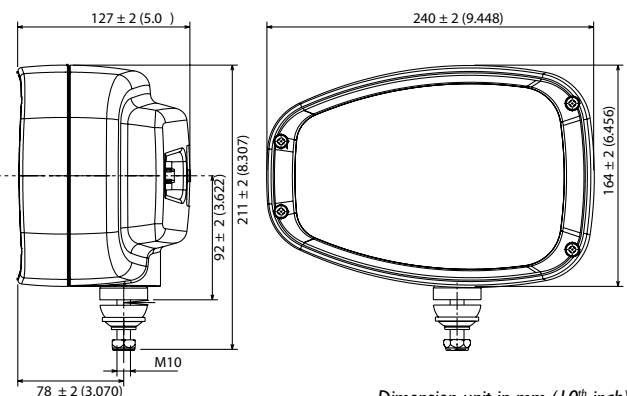


ABL 3800 LED

Combination Heavy-duty Driving Light



Dimension unit in mm (10th inch)

Description

The ABL 3800 LED combination drive light is an ECE approved full LED product designed for on-road and off-road vehicles. Along with numerous mounting operations, the high vibration performance of this full LED combination light allows industrial vehicles to endure extreme working conditions with virtual-free maintenance for their homologated driving lights package.

Features and Benefits

- Full LED combination drive light
- ECE homologated
- 5 functions integrated
- 15Grms from 24 to 2000Hz vibration resistance
- 60G shock resistance
- Easy one to one halogen replacement
- Pedestal, suspended, and rear swivel mounting options

Applications

Suitable for off and on-road applications

Tech Specs

| | |
|-------------------------------|---|
| Light source | LEDs |
| Colour Temperature | 6000°K |
| Beam Pattern | ECE R112 High / Low Beam, ECE R6 Turn Signal and Repeater, ECE R7 Pilot Light |
| Wattage | 22W High Beam, 32W Low Beam |
| Current Draw | 1.29A @ 24V (Low Beam), 0.85A @ 24V (High Beam) |
| Voltage | 12-24V DC multi |
| Operating Temperature | -40°C to +85°C |
| Vibration Resistance | 15 Grms from 24 to 2000Hz |
| Shock Resistance | 60 G |
| EMC | ISO 13766 (Earthmoving Equipment), ISO 14982 (Forestry/Agricultural) ISO 12985 (Handling Equipment) CISPR25 (Radio compatibility) |
| Load Dump | 36V continuous - 72V 100 ms - 1800 V 50 µs |
| Polarity | Protected against reverse voltage |
| Connection | Built-in DT 6 ways, Cable compression seal PG11 |
| Lens | Hardened glass |
| Reflector | Free form reflectors plus aspherical lenses modules |
| Electronic Thermal Management | Protected against over heating |
| IP Rating | IP 68, IP 69K |
| Salt Spray | ISO 9227 |
| Mounting | Pedestal, suspended, rear swivel |
| Weight | 4.3 (lbs) / 1.95 (kgs) |
| Dimensions (DxWxH) | 5.0x9.45x8.31" (127x240x211mm) |

| Part No. | Voltage | Amps (24V low beam) | Amps (24V high beam) | Watts (low beam) | Watts (high beam) | Mounting Option |
|-------------------|--------------|------------------------|-------------------------|---------------------|----------------------|-----------------|
| 3800LED-12/24-P | 12-24V multi | 1.29A | 0.85A | 32W | 22W | Pedestal |
| 3800LED-12/24-R | 12-24V multi | 1.29A | 0.85A | 32W | 22W | Rear |
| 3800LED-12/24-S | 12-24V multi | 1.29A | 0.85A | 32W | 22W | Suspended |
| 3800LED-12/24-VL | 12-24V multi | 1.29A | 0.85A | 32W | 22W | Vertical Left |
| 3800LED-12/24-VR | 12-24V multi | 1.29A | 0.85A | 32W | 22W | Vertical Right |
| 3800LED-12/24-VRE | 12-24V multi | 1.29A | 0.85A | 32W | 22W | Vertical Rear |