

HyperLink brand Weatherproof Lightning Surge Protector for DC Control Lines

Applications

- DC Control Lines

Features

- 3-Stage protection
- Standard models for 12V, 24V and 48V DC applications
- Removable screw terminal strips
- Gasketed cover and concealed mounting holes
- Ground clamp provided on outside of enclosure



Standard Models

Model: AL-D8-12DC	Application: 12V DC Control Lines
Model: AL-D8-24DC	Application: 24V DC Control Lines
Model: AL-D8-48DC	Application: 48V DC Control Lines

Description

The AL-D8 DC series of high power 3-stage lightning surge protectors provides superior protection of DC control lines from transients and surges. These units will protect 8 individual single ended DC control lines. The first stage is comprised of a spark gap. The second stage is a failsafe fuse and the final stage is a uni-polar Transient Voltage Suppression (TVS) Diode. The unit limits the positive voltage swing on the line to the TVS Diode voltage rating. For negative voltage swings the voltage is clamped to approximately 0.7 volts. Call for different Fuse and TVS diode ratings. Use the AL-D8 AC series if bipolar voltage swing is required. For more complete surge protection of control lines, the use of two units is recommended, one at each end of the line.

These units feature a weatherproof ABS enclosure with gasketed cover and concealed mounting holes. Removable Terminal Strips are provided on the input and output for convenience. To ease installation, the terminal strips can be removed. A ground clamp provides a tie point for earth ground.

Specifications

Electrical Specifications

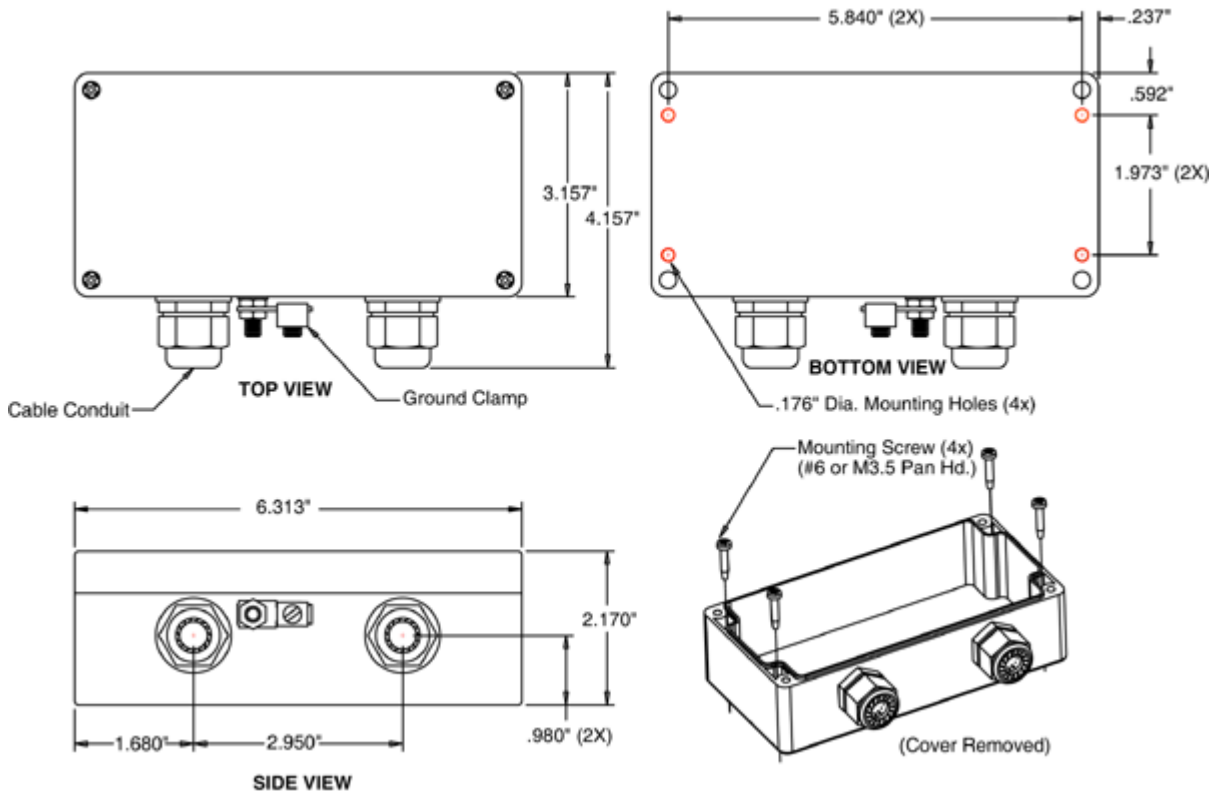
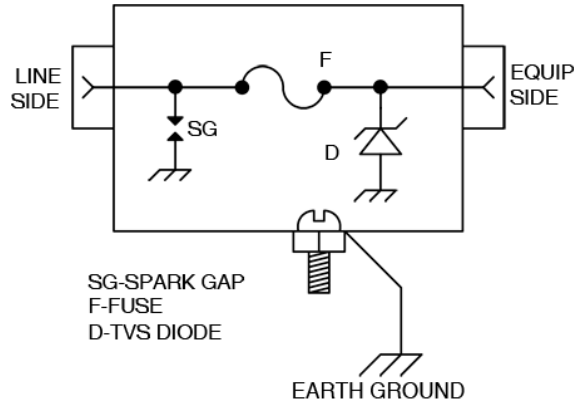
Models:	AL-D8-12DC	AL-D8-24DC	AL-D8-48DC
Lines	8		
Connectors	2 Removable Terminal Strips		
Stage 1	Spark Gap		
Stage 2	1 Amp Fuse		
Stage 3	15 Volt TVS Diode	30 Volt TVS Diode	56 Volt TVS Diode

Mechanical Specifications

Enclosure	Dark Gray ABS
Grounding Clamp	10 AWG Max.
Operating Temperature	-40 C (-40 F) to +80 C (+176 F)
Weight	.38 lbs. (.17 kg)
Dimensions	6.3 x 3.15 x 2.17 (in) / 160 x 80 x 55 (mm)

AL-D8-xxDC

SINGLE CHANNEL



Guaranteed Quality

This product is backed by L-com's Limited Warranty.