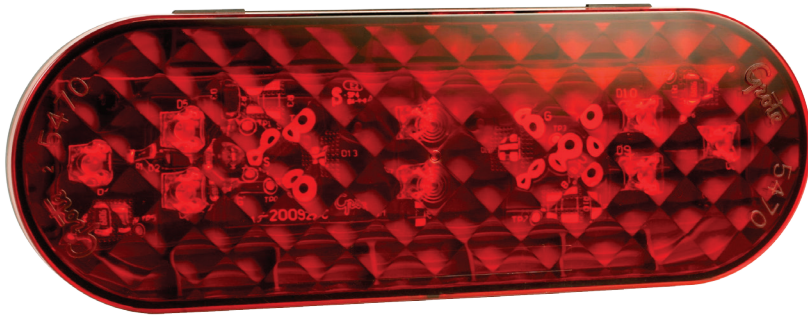


6" Oval LED S/T/T with Integrated Back-up Lamp and 6" Oval LED S/T/T

Data Sheet

STOP/TAIL/TURN LIGHTING



PRODUCT SPECIFICATIONS

MATERIALS

Integrated Back-up Lenses : Red High Impact Acrylic, Clear Polycarbonate

S/T/T Lens : Red High Impact Acrylic

Housing : Black Polycarbonate/ABS blend

Assembly : Laser Weld

Connection Types: hard shell, male pin, female pin,

FMVSS

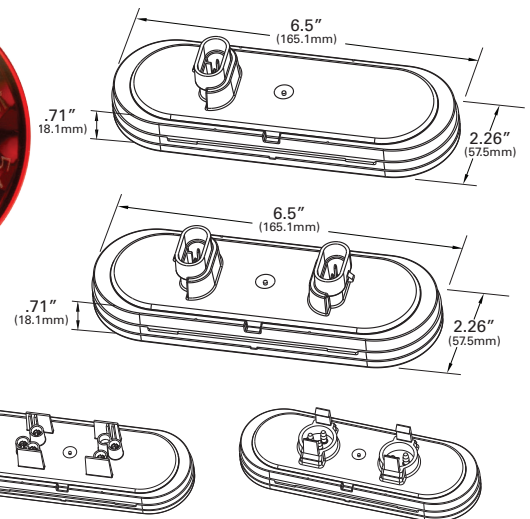
S/T/T with Integrated Back-up: FMVSS 108 : I, S, T, R2

S/T/T lamp only: FMVSS 108 : I, S, T

VOLTAGE

12 volts,

12/24 volts (01-5469-71 only)



Two Lamps in One

- Innovative patented design combines all Stop/Tail/Turn and Back-up functions into one industry standard size lamp.
- Symmetrical design meets legal requirements at any mounting angle.
- Two-lamps-in-one design eliminates two holes and two lamps in rear of straight, vocational, and specialized vehicles. This design can also replace separate back-up lamp in power modules.
- Lamp design saves time and money on installation, eliminates potential leaks in vehicle, improves structural integrity and corrosion resistance, and leaves more room for other controls, such as for lift gates and grab rails.
- LED technology provides less maintenance costs and long life.
- Industry-standard design fits existing mounting grommets, brackets, and flanges.
- Thin profile design minimizes chance of external impact damage.
- Separate connectors allow for full functionality of existing harnesses.
- Reduces inventory, SKUs, and carrying costs.
- Matching Stop/Tail/Turn available for systems with separate turn lamps.

2600 Lanier Drive, Madison, Indiana U.S.A. 47250-0550

U.S. **800.628.0809** Canada **800.268.5612**

Europe **+49 9962/20008-0** Mexico **011 (52) 81-8262-4400**

GLB2015-77

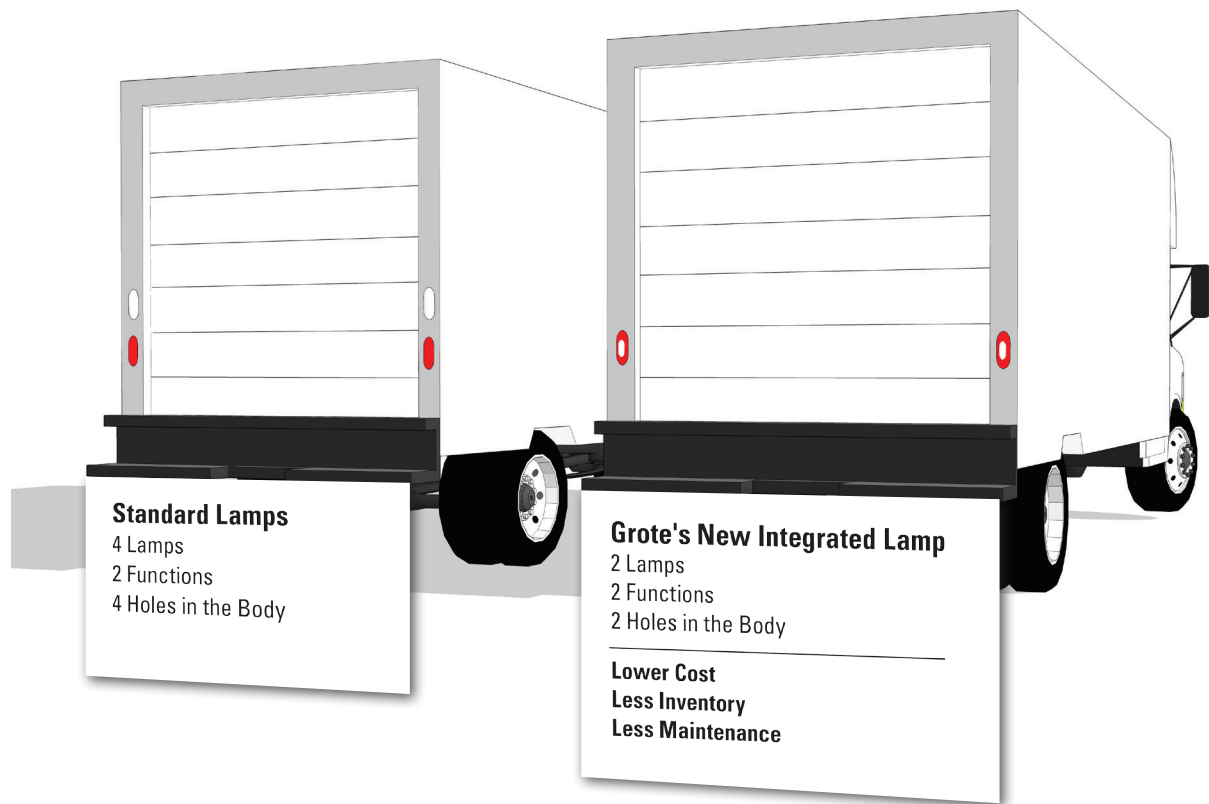
grote.com

Grote

6" Oval LED S/T/T with Integrated Back-up Lamp and 6" Oval LED S/T/T

Data Sheet

STOP/TAIL/TURN LIGHTING



| Grote Part Number | Description | Connectivity | Voltage | Case Quantity |
|-------------------|--------------------------------|------------------------|------------|---------------|
| 01-5469-71 | S/T/T w/ Integrated Back-up | Hard Shell Termination | 12/24 volt | 16 |
| 54672 | S/T/T w/ Integrated Back-up | Male Pin Termination | 12 volt | 16 |
| 54682 | S/T/T w/ Integrated Back-up | Female Pin Termination | 12 volt | 16 |
| 54702 | S/T/T w/ Integrated Back-up | Hard Shell Termination | 12 volt | 16 |
| 54722 | S/T/T w/out Integrated Back-up | Hard Shell Termination | 12 volt | 16 |
| 54752 | S/T/T w/out Integrated Back-up | Male Pin Termination | 12 volt | 16 |
| 54762 | S/T/T w/out Integrated Back-up | Female Pin Termination | 12 volt | 16 |

Patent information at grote.com/patents

2600 Lanier Drive, Madison, Indiana U.S.A. 47250-0550

U.S. **800.628.0809** Canada **800.268.5612**

Europe **+49 9962/20008-0** Mexico **011 (52) 81-8262-4400**

grote.com

