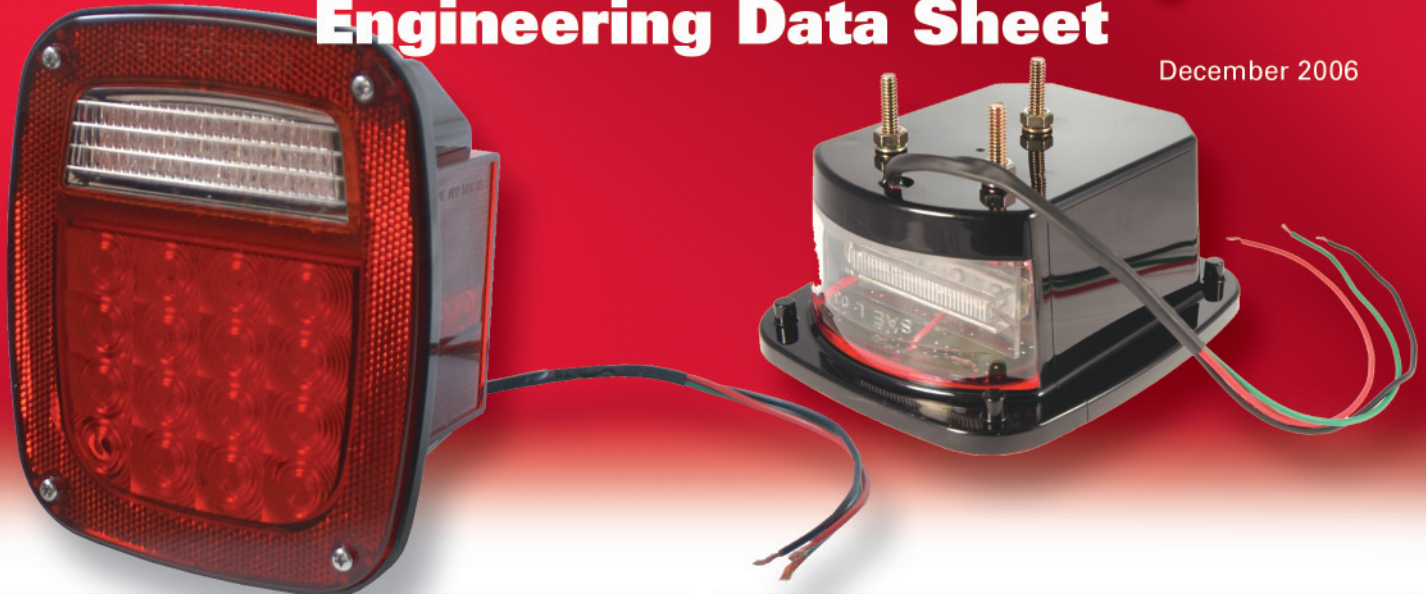


# All LED Box Lamps

## Engineering Data Sheet

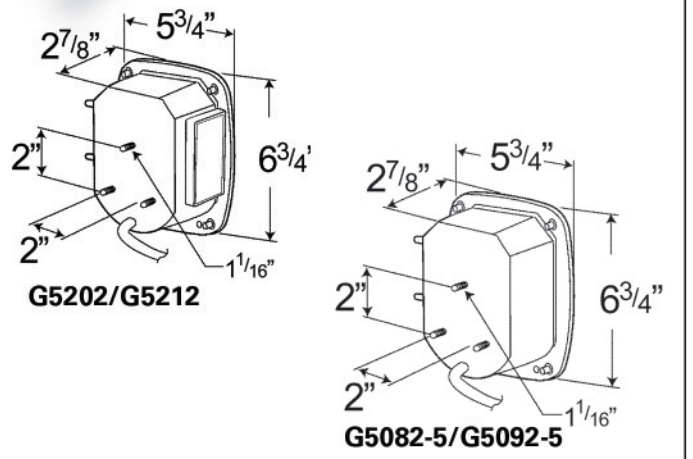
December 2006



- Potted circuitry
- Uses LEDs for all functions
- Blunt cut termination
- With sidemarker version (G5202 and G5212) have retro fit compatibility with Jeep Wranglers and CJ's through the 2006 model year.

### Product Features and Benefits:

- Potted circuit board for protection against corrosion.
- G5202 and G5212 provides circuit protection that is compatible with the existing flasher technology.
- Includes mounting hardware for easy installation.
- G5202/G5212: 16 diodes S/T/T, 22 diodes back-up, 4 diodes for license and 2 diodes for sidemarker.
- G5082-5/G5092-5: 16 diodes S/T/T, 22 diodes back-up and 4 diodes for license.



### G5202/G5212

Material: Polycarbonate/Acrylic  
Finish: Black

Voltage/Amp: Lic: 12V - 1.4 (I,S)/.25(R2)/.1(T,L)  
w/o Lic: 12V - 1.4(I,S)/.25(R2)/.06(T)

### G5082-5/G5092-5

Material: Polycarbonate/Acrylic  
Finish: Black

Voltage/Amp: Lic: 12V - .2 (I,S)/.34(R2)/.39(T,L)  
w/o Lic: 12V - .2(I,S)/.34(R2)/.39(T)

Part Number	Catalog Pg #	Market	Light Source	Operating Voltage	Current Draw	Interchange
G5202(RH)	New	JEEP	LED	12V	1.4/.25/.06	N/A
G5212(LH)	New	JEEP	LED	12V	1.4/.25/.1	N/A
G5082-5(RH)	56	All box lamp	LED	12V	.2/.34/.39	N/A
G5092-5(LH)	56	applications	LED	12V	.2/.34/.39	N/A



The first name in vehicle safety systems®

2600 Lanier Drive Madison, Indiana U.S.A 47250-0550  
U.S. 800.457.9540 Canada 800.268.5612

www.grote.com

GLB-2006-26