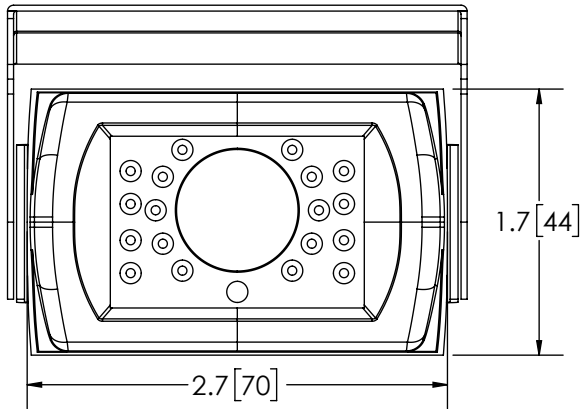
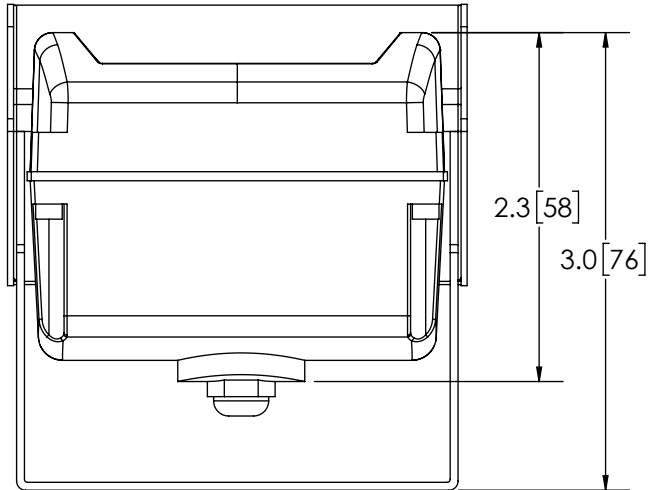
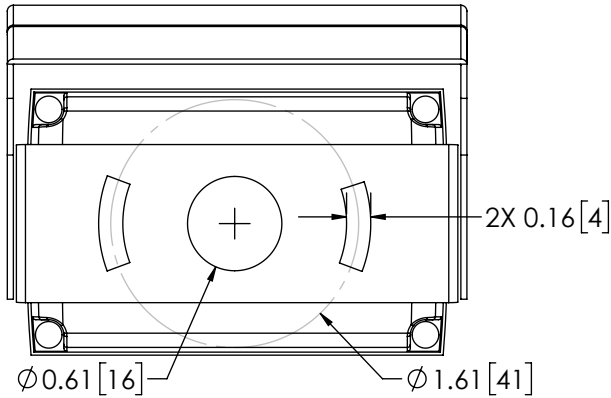


REVISION HISTORY		
REV.	DESCRIPTION	DATE
A	INITIAL RELEASE PER EC4713	2017-12-18
B	REVISED PER EC6416	2021-09-27
C	REVISED PER EC7030	2023-07-20



FRONT VIEW



BOTTOM VIEW

SPECIFICATIONS

- CERTIFICATIONS: **CE**; IP69K ;
Note: Unique components, accessories, and hardware kits are not typically included in the Product Certification Test Protocols. Unless otherwise Specified, the Product Certifications referred to herein are predicated upon the base product model configuration.
- LENS ANGLE: 120°
- RESOLUTION: 725 X 488 (PIXELS)
- 18 IR LEDs FOR NIGHT VISION (8-10M VISIBILITY)
- VOLTAGE (NOMINAL): 12 VDC
- VOLTAGE (EXTREME): 10-16 VDC
- POWER (NOMINAL): 0.95W (@ 12 VDC NOMINAL)
- TEMPERATURE RANGE: -22°F (-30°C) TO 158°F (70°C)
- CONNECTION: 4 PIN CABLE
- RECOMMENDED MOUNTING: UNIVERSAL BRACKET
- PRODUCT WEIGHT: 0.6 LBS (0.27 Kg)
- AUDIO: NO


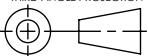
DISCLAIMER

DIMENSIONS, ILLUSTRATIONS, SPECIFICATIONS, AND CERTIFICATIONS CONTAINED IN THIS DOCUMENT ARE TYPICAL OF THE ACTUAL PRODUCT AND ARE SUBJECT TO CHANGE. ESG ENGINEERING DOES NOT MAINTAIN FORMAL DESIGN CONTROL OF THIS PRODUCT.

- NOTES:
1. DIMENSIONS IN INCHES[MILLIMETERS (FOR REFERENCE)]

PROPRIETARY AND CONFIDENTIAL INFORMATION

THIS DRAWING AND THE DESIGN AND OTHER INFORMATION DISCLOSED HEREIN ARE THE PROPERTY OF ELECTRONIC CONTROLS COMPANY AND/OR ITS ECCO SAFETY GROUP AFFILIATES ("ECCO") AND IS ISSUED IN CONFIDENCE TO RECIPIENT FOR ENGINEERING INFORMATION PURPOSES ONLY. THIS DRAWING AND THE DESIGN AND OTHER INFORMATION DISCLOSED HEREIN MAY NOT BE USED, COPIED, REPRODUCED OR OTHERWISE DISCLOSED IN PART OR IN WHOLE TO THIRD PARTIES OR USED FOR ANY OTHER PURPOSE WITHOUT PRIOR ECCO WRITTEN CONSENT. ECCO RESERVES ALL PATENT, COPYRIGHT, TRADEMARK AND OTHER PROPRIETARY RIGHTS TO THIS DOCUMENT, INCLUDING ALL DESIGN, MANUFACTURING, REPRODUCTION, USE AND SALES RIGHTS THERETO. THIS DRAWING IS SUBJECT TO RECALL BY ECCO AT ANY TIME, AND YOUR POSSESSION AND/OR USE CONSTITUTES ACCEPTANCE OF THESE TERMS. ©2017 ELECTRONIC CONTROLS COMPANY

SCALE 1:1.25		APPROVALS	DATE	 ECCO [®] www.eccolink.com Americas (800) 635-5900 Europe +44 (0)113 237 5340 Asia Pacific +61 (0)3 63322444
CAD GENERATED DRAWING DO NOT MANUALLY UPDATE. MODEL REFERENCED: C		DRAWN BY BTK	2023-07-19	
TOLERANCES ARE IN INCHES, AND MILLIMETERS TOLERANCES UNLESS OTHERWISE STATED ARE:		CHECKED		CAMERA, CMOS, COLOR, IR(18), 4PIN
MILLIMETERS DECIMALS XX. ± 1.0mm XX.X ± 0.5mm	INCHES DECIMALS X.X ± 0.1 X.XX ± 0.04 X.XXX ± 0.02	MECH. ENG.		
	ANGLES ± 0.5°	ELEC. ENG.		CUSTOMER PART NO. C2013B
	FRACTIONS ± 1/64	TEST ENG.		SIZE: A DWG. NO. C2013B REV. C
THIRD ANGLE PROJECTION		SALES		Project: EC4713 Date Created: 2017-10-20
		Electronically Controlled Use Latest Copy		SHEET 1 OF 1