

# DIRECTIONAL LEDS



A, B & R only

single-color only

A, B & R only

## ED3777 SERIES

### Multi-Mount

The ED3777 directional LEDs are bright and versatile 180° warning lights, with worklight and puddle light combinations that are suited to a wide variety of applications. Its low profile, narrow shape and multiple mounting options (surface, edge, self-adhesive and permanent) provide superior flexibility when positioning the lights for optimum warning capability.

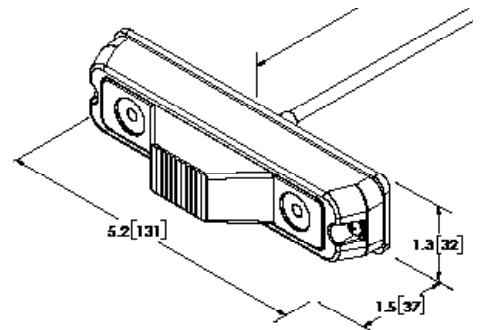
#### Models

| PART NO. | TYPE   | ILLUMINATION COLOR OPTIONS   | AMPS |
|----------|--------|--|------|
| ED3777X  | Single | <span style="color:orange">■</span> A <span style="color:blue">■</span> B <span style="color:green">■</span> G <span style="color:red">■</span> R <span style="color:white">■</span> W   | 1.3  |
| ED3777XX | Dual   | <span style="color:orange">■</span> AB <span style="color:green">■</span> AG <span style="color:red">■</span> AR <span style="color:orange">■</span> AW <span style="color:blue">■</span> BW <span style="color:red">■</span> RB <span style="color:white">■</span> RW | 1.4  |

Replace "X" in part number with desired color: A=amber, B=blue, G=green, R=red, W=white

#### Design Features

- 12-24 VDC
- 180° warning with worklight and puddle light
- Six LEDs per color
- 29 flash patterns (single), 69 flash patterns (dual)
- Sync-capable
- Aluminum housing, polycarbonate lens
- Four mounting options (hardware included)
- Temperature Range: -22°F to +122°F (-30°C to +50°C)



#### Mounting Options



Tilt Bracket / Self-Adhesive



Edge Mount